

Technical data sheet

Product features



Tilting bratt pan electric

Model	SAP Code	00008942
--------------	-----------------	----------



- Bottom material: Steel
- Bottom thickness: 12.00
- Basin volume [l]: 50
- Usable volume [l]: 50
- Tilting: Manual
- Filling: Mechanical cock
- Type of pan: Tilting
- Basin shape: Practically shaped bathtub spout to minimize spillage
- Protection of controls: IP24

SAP Code	00008942	Loading	400 V / 3N - 50 Hz
Net Width [mm]	800	Bottom material	Steel
Net Depth [mm]	730	Basin volume [l]	50
Net Height [mm]	900	Usable volume [l]	50
Net Weight [kg]	147.00	Tilting	Manual
Power electric [kW]	10.500		

Technical data sheet

Technical drawing

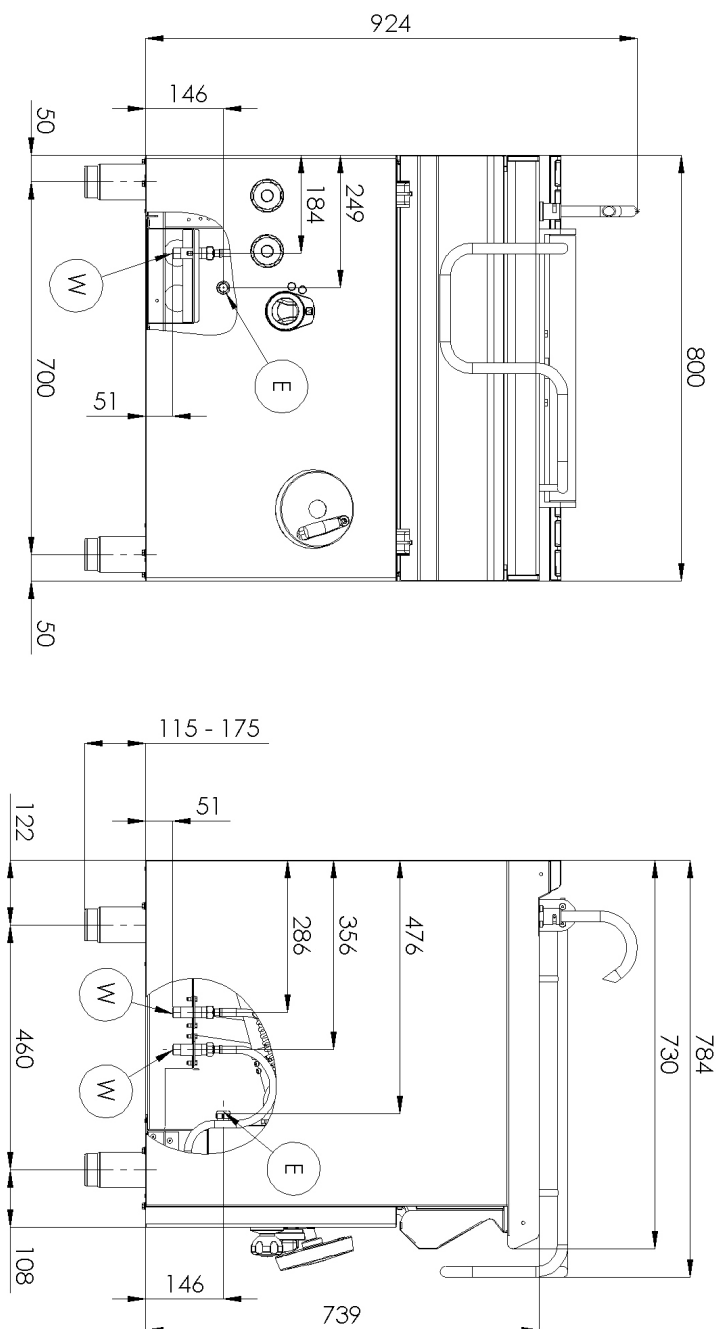


Tilting bratt pan electric

Model

SAP Code

00008942



Technical data sheet

Technical parameters



Tilting bratt pan electric

Model

SAP Code

00008942

1. SAP Code:

00008942

2. Net Width [mm]:

800

3. Net Depth [mm]:

730

4. Net Height [mm]:

900

5. Net Weight [kg]:

147.00

6. Gross Width [mm]:

840

7. Gross depth [mm]:

800

8. Gross Height [mm]:

1065

9. Gross Weight [kg]:

158.00

10. Device type:

Electric unit

11. Construction type of device:

Stationary

12. Power electric [kW]:

10.500

13. Loading:

400 V / 3N - 50 Hz

14. Protection of controls:

IP24

15. Exterior color of the device:

Stainless steel

16. Material:

AISI 304 top plate and cladding

17. Indicators:

operation and warm-up

18. Worktop type:

Molded - comfortable cleaning maintenance

19. Worktop material:

AISI 304

20. Worktop Thickness [mm]:

1.50

21. Basin volume [l]:

50

22. Volume capacity of the container [l]:

50.00

23. Maximum device temperature [°C]:

300

24. Minimum device temperature [°C]:

50

25. Safety thermostat:

Yes

26. Safety thermostat up to x ° C:

360

27. Adjustable feet:

Yes

28. Tilting:

Manual

Technical data sheet

Technical parameters



Tilting bratt pan electric

Model

SAP Code

00008942

29. Bottom thickness:

12.00

30. Bottom material:

Steel

31. Type of pan:

Tilting

32. Usable volume [l]:

50

33. Filling:

Mechanical cock

34. Basin shape:

Practically shaped bathtub spout to minimize spillage

35. Overflow:

Yes

36. Water filling type:

Both cold and warm

37. Cross-section of conductors CU [mm²]:

2,5

- Výkon (kW): 11-17 (230 V); 19-30 (400 V)

38. Water supply connection:

1/2"